



**Electrolux**  
PROFESSIONAL

**Installation accessories**  
**Stacking kit for 6 GN 1/1 oven**  
**placed on gas 10 GN 1/1**

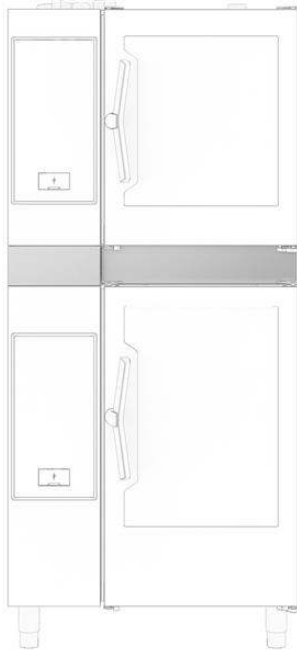
ITEM # \_\_\_\_\_

MODEL # \_\_\_\_\_

NAME # \_\_\_\_\_

SIS # \_\_\_\_\_

AIA # \_\_\_\_\_



**922623 (STK6111011)**

Stacking kit for 6 GN 1/1  
oven placed on gas 10 GN  
1/1 oven

**Main Features**

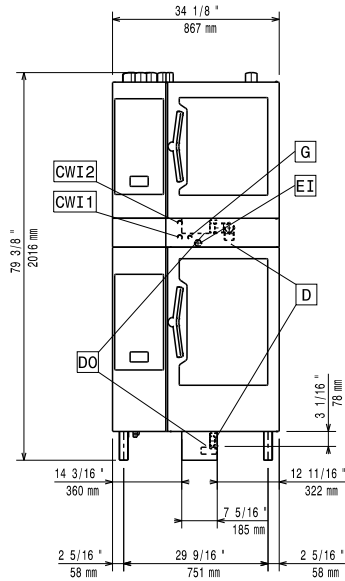
- Ideal for saving kitchen space.
- Includes: supports, external panels, flue and water pipes, drain connection and adjustable feet.
- The kit can be mounted on site.
- Typology (gas, electric) must be ordered considering the oven that will be placed at the bottom.

**APPROVAL:** \_\_\_\_\_

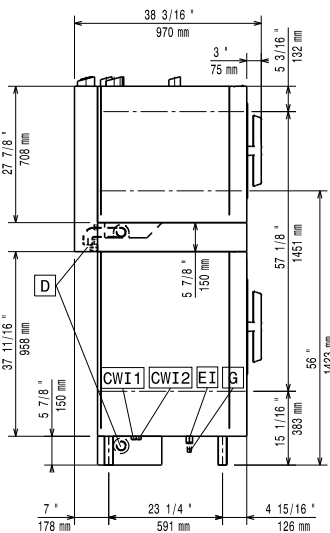


Experience the Excellence  
[www.electroluxprofessional.com](http://www.electroluxprofessional.com)

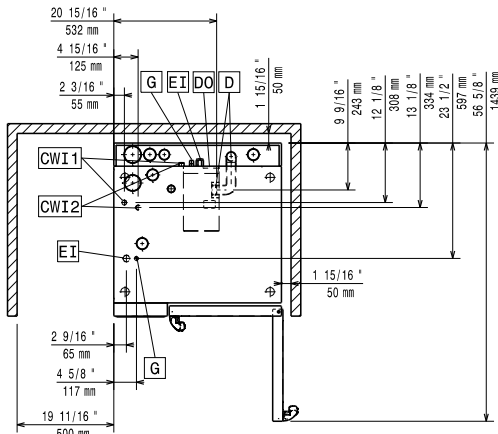
Front



Side



Top



**Key Information:****External dimensions,  
Width:**

922623 (STK6111011) 867 mm

**External dimensions,  
Depth:**

895 mm

**External dimensions,  
Height:**

150 mm

**Net weight:**

47.6 kg

**Shipping weight:**

46 kg